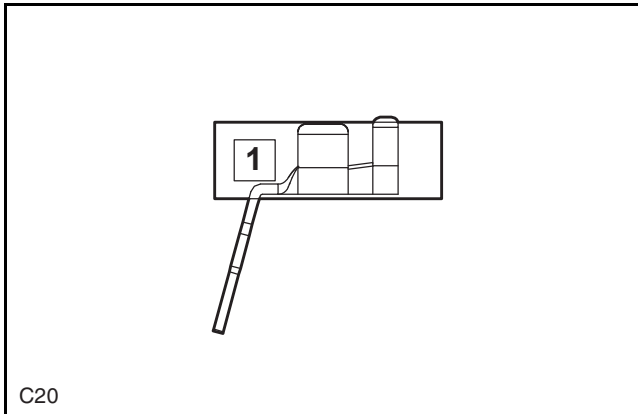


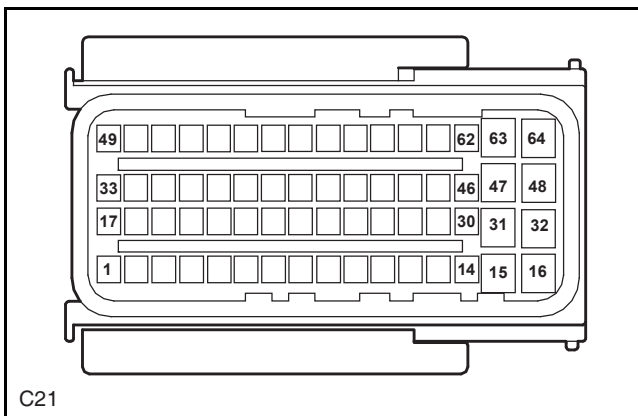
Starting Motor - Power Supply



C20 Wiring Harness Connector Pin Definition

Pin No.	Wire Diameter/Color	Function
1	16.0 RD	Starting Motor Power Supply

ECMA



C21 Wiring Harness Connector Pin Definition

Pin No.	Wire Diameter/Color	Function
1	0.35 LG	CAN-H
2	0.35 OG/BK	Battery Sensor LIN Line
3	-	-
4	-	-
5	0.5 OG	Main Relay Control
6	0.5 BN	Clutch Lower Switch Signal
7	0.5 YE/GN	Accelerator Pedal Position Sensor P1 Negative
8	0.5 BU	Drive Chain Engagement Signal
9	0.5 WH/RD	Cruise Signal +
10	-	-
11	0.5 GY	Idle Start and Stop Switch
12	0.5 BN/RD	Brake Vacuum Sensor Signal