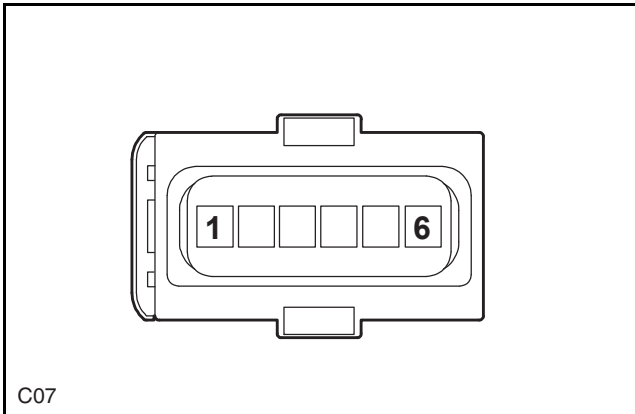


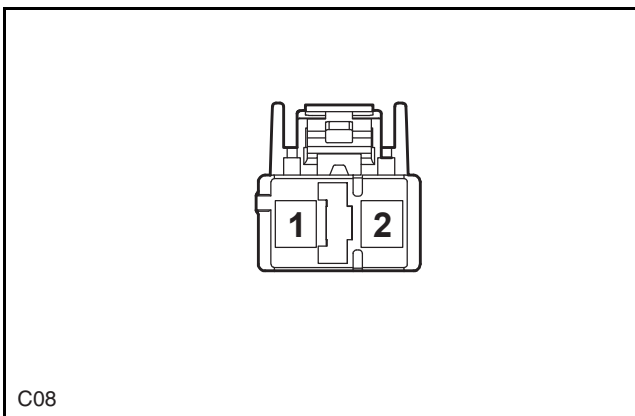
Accelerator Pedal Position Sensor



C07 Wiring Harness Connector Pin Definition

Pin No.	Wire Diameter/Color	Function
1	0.5 WH	Accelerator Pedal Position Sensor Signal
2	0.5 WH/BU	Accelerator Pedal Position Sensor P2 Positive
3	0.5 BU/WH	Accelerator Pedal Position Sensor P1 Positive
4	0.5 PK/BU	Accelerator Pedal Position Sensor Signal
5	0.5 YE/GN	Accelerator Pedal Position Sensor P1 Negative
6	0.5 GN/BK	Accelerator Pedal Position Sensor P2 Negative

EPS Power Supply



C08 Wiring Harness Connector Pin Definition

Pin No.	Wire Diameter/Color	Function
1	8.0 RD	EPS Power Supply
2	8.0 BK	EPS Grounding