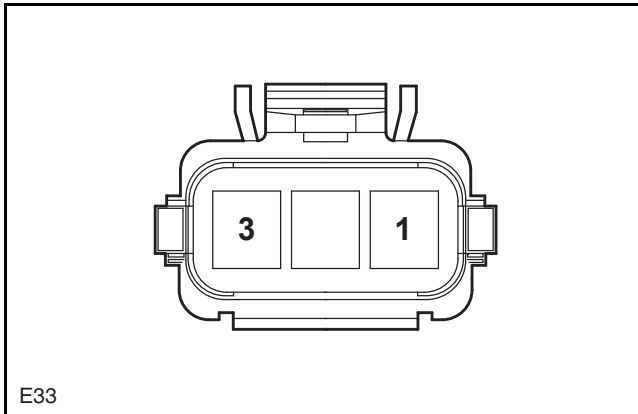
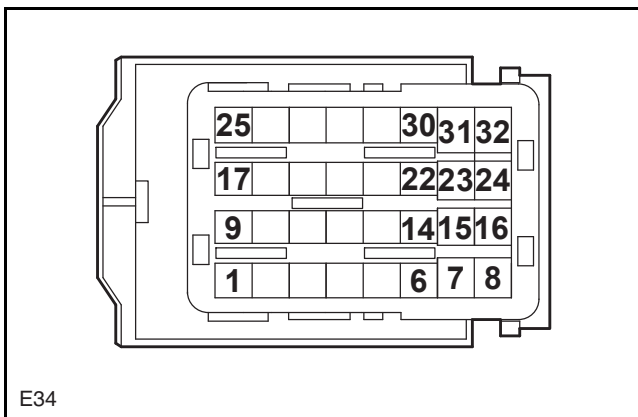


Input Counter Shaft 2 Speed Sensor

**E3 Wiring Harness Connector Pin Definition**

Pin No.	Wire Diameter/Color	Function
1	0.5 RD/GN	Input Shaft Speed Sensor + 5V
2	0.5 YE/GN	Input Counter Shaft 2 Speed Sensor Signal
3	0.5 VT/YE	Input Shaft Speed Sensor Grounding

TCU A

**E34 Wiring Harness Connector Pin Definition**

Pin No.	Wire Diameter/Color	Function
1	0.85 PK	Starting Relay Enabled Signal
2	0.85 WH/BU	Reversing Relay Enabled Signal
3	-	-
4	-	-
5	0.5 YE/BU	CAN-H
6	0.5 VT/GN	CAN-L
7	0.5 BN/WH	Transmission Temperature Sensor Grounding
8	0.5 BN/YE	VBS1-HS
9	-	-
10	-	-

Pin No.	Wire Diameter/Color	Function
11	-	-
12	-	-
13	-	-
14	-	-
15	0.5 YE/BK	SHIFT-HS
16	-	-
17	0.5 GY/RD	23 Switch Valve - HS
18	0.5 WH/YE	45 Switch Valve - HS
19	-	-
20	-	-
21	0.5 GY/YE	VFS2-HS
22	-	-
23	0.5 BU/WH	VBS2-HS
24	0.5 BU/OG	VFS1-HS
25	-	-
26	-	-
27	-	-
28	-	-
29	-	-
30	-	-
31	-	-
32	1.25 BK/RD	VBS1/VBS2/VFS1 Low Side