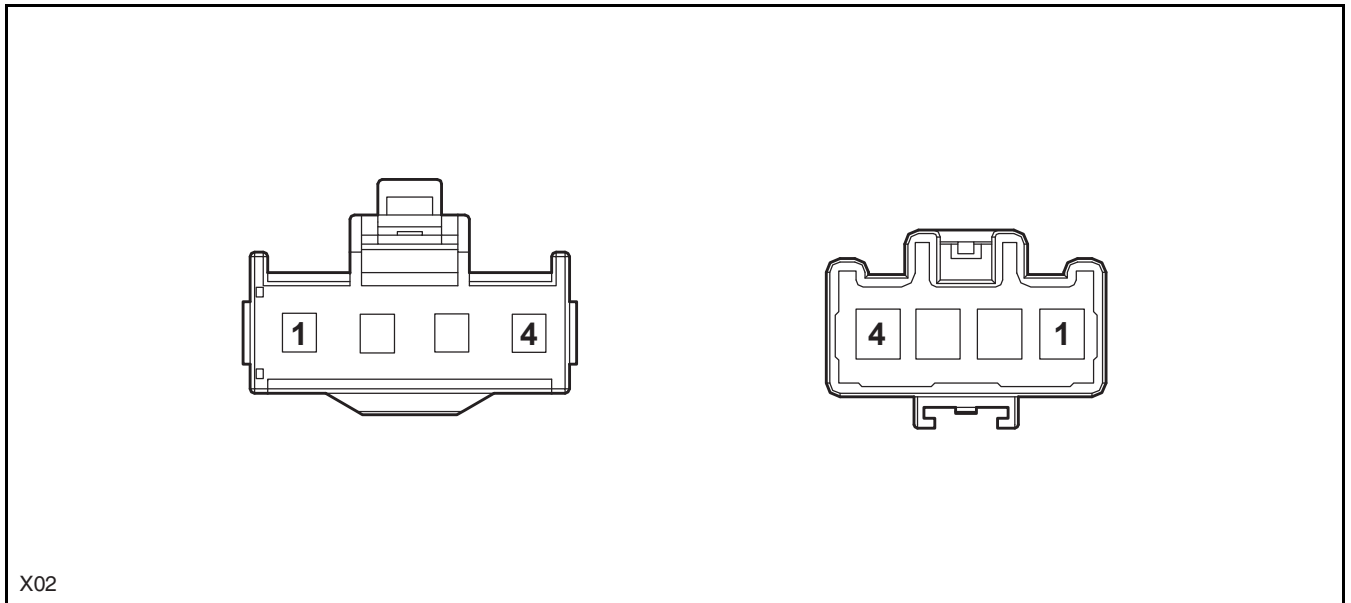


Engine Compartment Wiring Harness to Instrument
Panel Wiring Harness - Instrument Panel Fuse Box

Instrument Panel Wiring Harness - Instrument Panel
Fuse Box to Engine Compartment Wiring Harness



X02 Wiring Harness Connector Pin Definition

Pin No.	Wire Diameter/Color	Function
1	-	-
2	4.0 RD/BK	Ignition Switch B2 Power Supply
3	4.0 YE	Ignition Switch B1 Power Supply
4	4.0 RD/YE	DCD Constant Power Supply